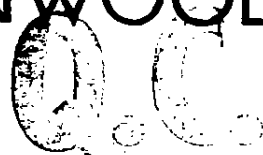


KFC-T101D

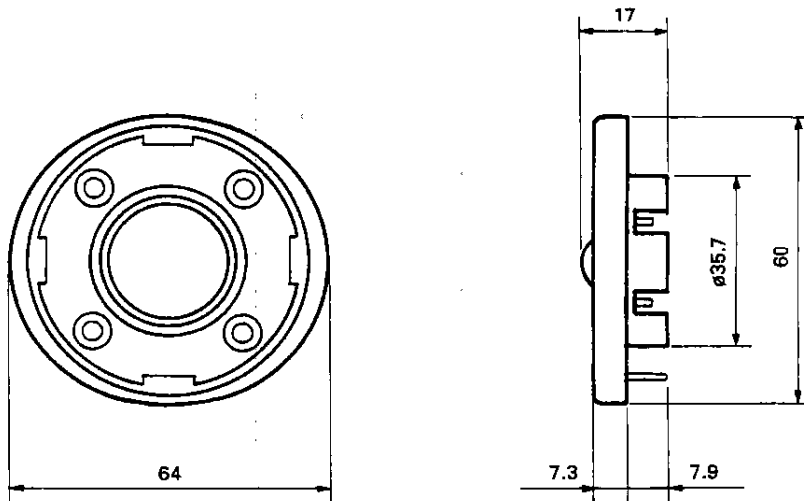
SERVICE MANUAL

KENWOOD



© 1989-3 PRINTED IN JAPAN
 B51-6018-00 (C) 1110

EXTERNAL VIEW



Unit : mm

SPECIFICATIONS

- Speaker..... 25 mm (1 in) dome type
- 0.47 oz magnet
- Peak input power 120 Watts
- Sensitivity 88dB/W at 1m
- Frequency response..... 2.000Hz to 20.000Hz
- Resonant frequency (fo)..... 1.500Hz
- Impedance..... 4 ohms
- Weight per speaker with grille.... 110g (3.9oz)/pc

We follow a policy of advancements in development.
 For this reason specifications may be changed without notice.

PARTS LIST

* New Parts
 Parts without **Parts No.** are not supplied.
 Les articles non mentionnes dans le **Parts No.** ne sont pas fournis.
 Teile ohne **Parts No.** werden nicht geliefert.

Ref No.	New Parts	Parts No.	Description
		B46-0100-10	WARRANTY CARD
		T03-0261-08	SPEAKER (TWEETER)

KENWOOD CORPORATION

Shionogi Shibuya Building, 17-5, 2-chome Shibuya, Shibuya-ku, Tokyo 150, Japan

KENWOOD U.S.A. CORPORATION

2201 East Dominguez Street, Long Beach, CA 90810,
 550 Clark Drive, Mount Olive, NJ 07826, U.S.A.

KENWOOD ELECTRONICS CANADA INC.
 P.O. Box 1075 959 Gana Court, Mississauga, Ontario, Canada L4T 4C2

KENWOOD ELECTRONICS BENELUX N.V.
 Mechelsesteenweg 418 B-1930 Zaventem, Belgium

KENWOOD ELECTRONICS DEUTSCHLAND GMBH
 Rembrucker-Str. 15, 6056 Heusenstamm, West Germany

TRIO-KENWOOD FRANCE S.A.
 Hi-Fi-VIDEO-CAR Hi-Fi
 13, Boulevard Ney, 75018 Paris, France

TRIO-KENWOOD U.K. LTD.
 17 Bristol Road, The Metropolitan Centre, Greenford, Middx. UB6 8UP England

KENWOOD ELECTRONICS AUSTRALIA PTY. LTD.
 4E Woodcock Place, Lane Cove, N.S.W. 2066, Australia

KENWOOD & LEE ELECTRONICS, LTD.
 Wang Kee Building, 4th Floor, 34-37, Connaught Road, Central, Hong Kong